



HANSON RIVET

& SUPPLY CO.

13241 Weidner Street
Pacoima, CA 91331

Phone: 818-485-0500

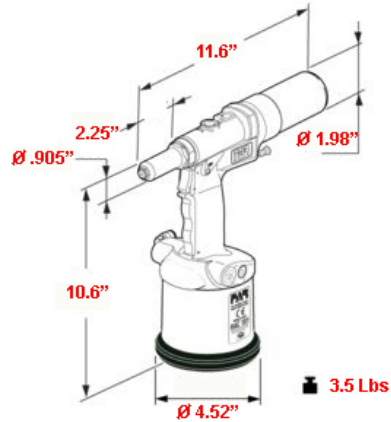
FAX: 818-485-0540

Outside CA: 1-800-RRRIVET

www.hansonrivet.com



RAC-181-A HYDRO PNEUMATIC BLIND RIVET TOOL



For 1/8", 5/32", 3/16" & 1/4" Blind Rivets

The RAC-181-A is a heavy duty tool designed with a innovative suction system for lower compressed air consumption. Durable, ergonomic and 20% lighter than previous models. This tool is designed with high volume production in mind. New features also include a double acting pneumatic actuation resulting in a quick cycle time while maintaining a high traction force.

Capacity: Up to 3/16" in Stainless Steel, 1/4" in Aluminum.

Weight: 3.5 lbs - Pulling Force: 2,360 lbs. Stroke: .807

Nose Pieces included 1/8", 5/32", 3/16" & 1/4"

Standard Nose Pieces	
Rivet Diameter	Nosepiece
1/8"	717002
5/32"	717003
3/16"	717004
1/4"	717005

Non-Standard Nose Assemblies	
For RAC-180 & RAC-181 Models	Part Number
Angle Head Adapter	705023
5" Extended Nose Assembly	721877
8" Extended Nose Assembly	720973

Replacement Jaws	71345507
------------------	----------

