



HANSON RIVET

& SUPPLY CO.

13241 Weidner Street
Pacoima, CA 91331

Phone: 818-485-0500

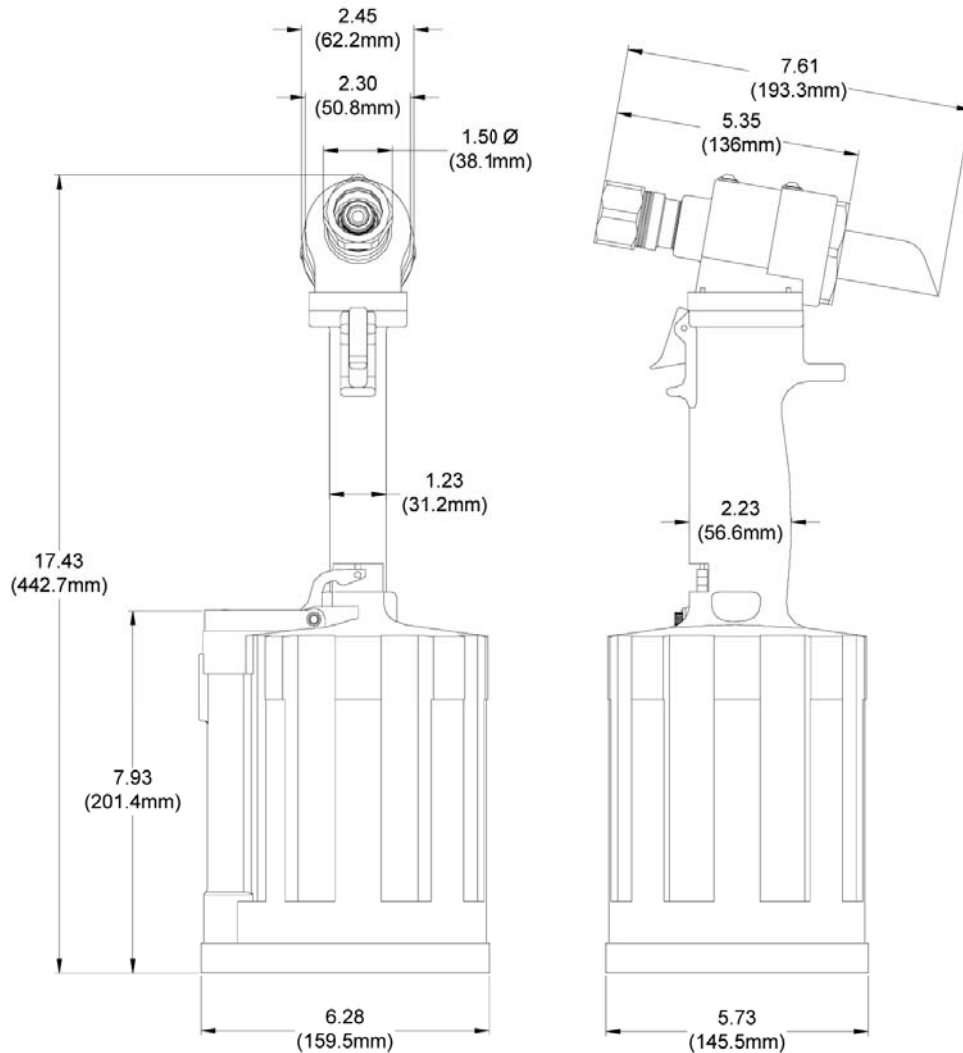
FAX: 818-485-0540

Outside CA: 1-800-RRRIVET

www.hansonrivet.com



GBP756 AIR-HYDRAULIC TOOL



DESCRIPTION

The GBP756 is a hydraulic installation tool designed specifically for the efficient installation of a wide range of blind, lockbolt and Magna-Grip fasteners thru 3/8" diameter. It weighs 11.1 lbs. and can be operated in any position with one hand. It has a .960" rivet setting stroke and a rated pull load of 10,000 pounds.

The GBP756 riveter operates on a wide range of air pressure, with 90 to 100 psi providing the maximum efficiency. At 90 lbs. air pressure, the GBP756 does not exceed 82 db (A) and consumes 6.0 cfm at 20 cycles per minute.

The air inlet is provided with 1/4-18 female pipe threads for accepting the user's air hose fitting.

NOSE ASSEMBLIES ARE NOT FURNISHED WITH THIS RIVETER AND MUST BE ORDERED SEPARATELY.



HANSON RIVET

& SUPPLY CO.
13241 Weidner Street
Pacoima, CA 91331

Phone: 818-485-0500

FAX: 818-485-0540

Outside CA: 1-800-RRRIVET

www.hansonrivet.com



SELECTION CHART FOR GBP756



FASTENER	DIA.	STRAIGHT		*OFFSET	
2 ASP & ASP FF	13/64	ASP06-745B-23	ASP06-745B-48	ASP06-204C-27OS	ASP06-204C-37OS
ASP FF & ASP F	17/64	ASP08-745B-23	ASP08-745B-48	ASP08-204C-27OS	ASP08-204C-37OS
ASP-LC and MAF	21/64	ASP10-755-23	ASP10-755-48	ASP10-204C-27OS	ASP10-204C-37OS
BOM	1/4	BOM08-755-23			
AVBOLT	5/16	BOM10-756-26			
	3/8	BOM12-756-26			
COMMERCIAL LOCKBOLTS C6L ADVELOK	3/16	NAS06-745B-12	NAS06-755-48	NAS06-204B-25OS	NAS06-204B-30OS
		NAS06-755-23		NAS06-204B-34OS	
	1/4	NAS08-745B-12	NAS08-755-48	NAS08-204B-25OS	NAS08-204B-30OS
		NAS08-755-23		NAS08-205A-31	NAS08-204B-34OS
	5/16	LB10-745C-26	NAS10-756-48	NAS10-205A-31	
	3/8	LB12-756-26	NAS12-756-48	NAS12-205A-31	
CONTAINER BOLT	3/8	HT12-745B-28			
FLOOR BOLT	5/16	FT10-745B-26			
LGP LOCKBOLT	5/32	LGP05-745B-12	LGP05-755-23	LGP05-204B-25OS	LGP05-204B-30OS
		LGP05-755-48		LGP05-204B-34OS	
LGPL2SC-V BACB30VM	3/16	LGP06-745B-12	LGP06-755-23	LGP06-204B-25OS	LGP06-204B-30OS
LGPL18SC-V BACB30XT		LGP06-755-48		LGP06-204B-34OS	
LGPL4SC-V ABS0548	1/4	LGP08-745B-12	LGP08-755-23	LGP08-204B-25OS	LGP08-204B-30OS
LGPL2SP-V BACB30VN		LGP08-755-48		LGP08-204B-34OS	LGP08-205A-31
LGPL4SP-V ASNA2392	5/16	LGP10-745B-12	LGP10-756-26	LGP10-205A-31	
LGPL8SC-V BACB30WD		LGP10-756-48			
LGPL9SC-V BACB30WB	3/8	LGP12-745B-12	LGP12-756-26	LGP12-205A-31	
LGPL9SP-V BACB30VY		LGP12-756-48			
NAS and GP SHEAR/TENSION LOCKBOLTS	5/32	NASS05-745B-12	NAST05-745B-12	NASS05-204B-25OS	NAST05-204B-20OS
		NASS05-755-23	NAST05-755-23	NASS05-204B-30OS	NAST05-204B-30OS
		NASS05-755-48	NAST05-755-48	NASS05-204B-34OS	NAST05-204B-34OS
	3/16	NAS06-745B-12	NAS06-755-23	NAS06-204B-25OS	NAS06-204B-30OS
		NAS06-755-48		NAS06-204B-34OS	
	1/4	NAS08-745B-12	NAS08-755B-23	NAS08-204B-25	NAS08-204B-30
		NAS08-755-48		NAS08-204B-34	NAS08-205A-31
	5/16	NAS10-745B-12	NAS10-756-26	NAS10-205A-31	
		NAS10-756-48			
	3/8	NAS12-745B-12	NAS12-756-26	NAS12-205A-31	
	NAS12-756-48				
MULTI-GRIP LOCKBOLT	3/16	MG06-745-48			
	1/4	MG08-745-48			
	5/16	MG10-756-28			
	3/8	MG12-756-28			
MULTI-GRIP STRUCTURAL BLIND RIVET	5/16	MGL10-353-28			
	3/8	MGL12-353C-28			
OVERSIZE STRUCTURAL RIVET	1/4	OS08-353A-48			
	5/16	OS10-756-26	OS10-756-48		
	3/8	OS12-756-26	OS12-756-48		
BLIND BOLTS MS90353S & U & MS90354S & U MS21140S & U & MS21141S & U CR7000 SERIES BACB30YY, YU, & YT	5/32	SB05-745B-23	SB05-745B-48	SB05-204C-27OS	SB05-204C-37OS
	3/16	SB06-745B-23	SB06-745B-48	SB06-204C-27OS	SB06-204C-37OS
	1/4	SB08-755-23	SB08-755-48	SB08-204C-27OS	SB08-204C-37OS
				SB08-205-35	
	5/16	SB10-756-28	SB10-756-48	SB10-205A-35	
3/8	SB12-756-28	SB12-756-48	SB12-205A-35		

GBP756 TOOL IS APPROVED TO INSTALL THE ABOVE FASTENERS.

*ALL OFFSET 204 SERIES NOSES REQUIRE 353204 ADAPTER WITH 756152 STROKE LIMITER.

*ALL OFFSET 205 SERIES NOSES REQUIRE 353205 ADAPTER WITH 756153 STROKE LIMITER.

NOTE: THE LAST 2 DIGITS OF THE NOSE ASSEMBLY REPRESENTS THE LENGTH THE NOSE
EXTENDS FROM THE TOOL I.E. -20 = 2.0 INCHES