



HANSON RIVET

& SUPPLY CO.
13241 Weidner Street
Pacoima, CA 91331

Phone: 818-485-0500

FAX: 818-485-0540

Outside CA: 1-800-RRRIVET

www.hansonrivet.com

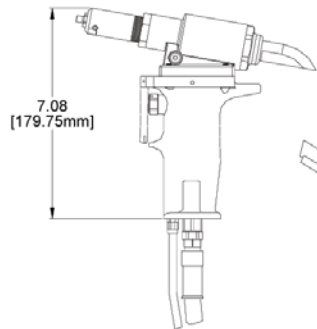
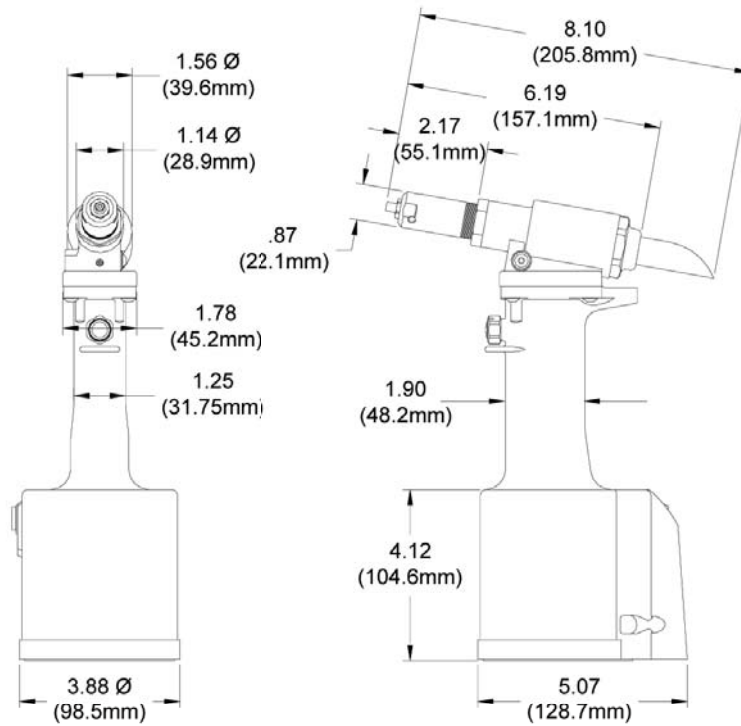


GBP703E AIR-HYDRAULIC TOOL



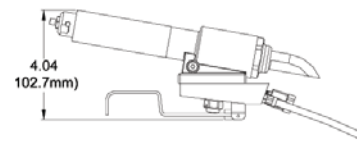
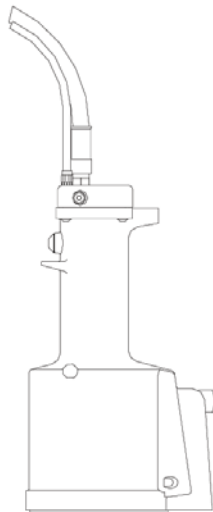
GBP703E

Stroke - .780"
Hand held weight - 4.50 lbs.
Entire tool weight - 4.50 lbs
Pull load - 2,200



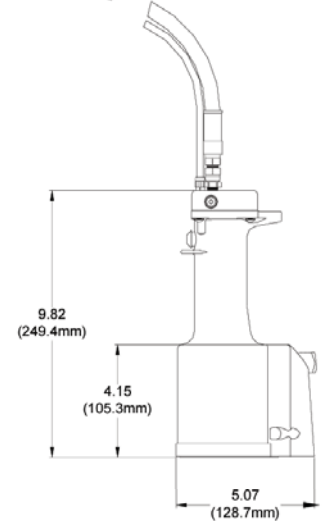
GBP703ESH

Stroke - .800"
Hand held weight - 2.00 lbs.
Entire tool weight - 7.25 lbs
Pull load - 2,200



GBP703ESR

Stroke - .780"
Hand held weight - 1.50 lbs.
Entire tool weight - 4.50 lbs
Pull load - 2,200





HANSON RIVET

& SUPPLY CO.

13241 Weidner Street
Pacoima, CA 91331

Phone: 818-485-0500

FAX: 818-485-0540

Outside CA: 1-800-RRRIVET

www.hansonrivet.com



GBP703E AIR-HYDRAULIC TOOL



DESCRIPTION

The GBP703E series are pneumatic-hydraulic tools designed specifically for the efficient installation of a wide range of blind rivets. They can be operated in any position with one hand. They have a rated pull load of 2200 pounds with 90 psi air pressure at the air inlet.

The GBP703ESH and GBP703ESR riveters offer a unique "split" system providing the operator with an ergonomic tool with reduced hand held weight, as shown below.

The GBP703E series riveters operate on a wide range of air pressure, with 90 to 100 psi providing the maximum efficiency. At 90 lbs air pressure, the GBP703E series does not exceed 85 db (A) and consumes 3 cfm at 20 cycles a minute.

The GBP703E series riveters are furnished with nose assembly 6N-743-20 and spare nose tip 10202 and follower 40307 to convert to 4N-743-20 nose assembly.

OPTIONS

The GBP703E series riveters may be ordered with a vacuum system. Gage Bilt offers two varieties (see below)

Order GBP703E series riveters with the proper rivet specification by adding the appropriate suffix (see selection chart).



GBP703E SERIES SELECTION CHART



RIVET	DIA.	NOSE ASSEMBLY	NOSE TIP 1	JAW	FOLLOWER	DESIGNATION
AVEX (1624 PROTRUDING HEAD) AVEX (1624COUNTERSUNKHEAD)	3/16 3/16	AV6-743A-24 2 6C-743A-24 2	10141 10141-1	30849 30849	40871 40871	AV6 6C
KLAMPTITE (STRUCTURAL) RIVET	3/16 1/4	6KT-743-20 1 8KT-743A-24 2	10263 10262	30537 30849	40605 40871	6KT 8KT
MACHINE SCREW RIVET	5MM	M55M-743-20 1	10332	30537	40605	5MM
MONOBOLT RIVET	3/16 1/4 3	MB06-734A-20 2,5 MB08-734-20 2,5	10210 10213	36801 30833	48808 48808	MB06 MB08
NUTPLATE RIVET CCR244/284/274 BAOR15DR MS20600	3/32 1/8	3NP-743-20 1 5N-743-20 1	10231 10203	30537 30537	40307 40605	3NP 5N
OPEN END CLOSED END NAIL RIVET	3/32 1/8 5/32 3/16 1/4 3	3N-743-20 1 4N-743-20 1 5N-743-20 1 6N-743-20 1 8N-743A-24 2	10201 10202 10203 10204 10211	30537 30537 30537 30537 30849	40307 40307 40605 40605 40871	3N 4N 5N 6N 8N
STAINLESS STEEL OPEN END, CLOSED END NAIL RIVET	5/32 3/16	5SS-743-24 6SS-743-24	10203 10204	30849 30849	40871 40871	5SS 6SS
PLASTIC SPLIT RIVET	3/16 1/4	6P-743-20 1 8P-743A-24 2	10167 10168	30537 30849	40605 40871	6P 8P
T RIVET	3/16 1/4 3	6T-743-20 1 8T-743A-24 2	10209 10286	30537 30849	40605 40871	6T 8T
TLR RIVET	1/4	8TLR-743A-24 2	10246	30849	40871	8TLR

SELECTION CHART FOR PROTRUDING HEAD ONLY

RIVET	DIA.	NOSE ASSEMBLY	NOSE TIP 1	JAW	FOLLOWER	DESIGNATION
SERRATED STEM STRUCTURAL RIVET	3/16 1/4 4	PH6-734A-20 2,5 PH8-734-20 2,3,5	10248 10205	36801 30833	48808 48808	PH6 PH8

1) YOU CAN CHANGE THE 703 NOSE ASSEMBLY (INCLUDED WITH TOOL) TO INSTALL OTHER FASTENERS BY PURCHASING NOSE TIP SHOWN AND USING APPROPRIATE FOLLOWER SHOWN.

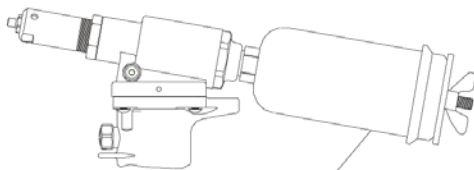
2) NOSE ASSEMBLIES WITH A 743-24 DESIGNATION, I.E. 8N-743A-24, MUST BE ORDERED AS COMPLETE NOSE ASSEMBLY.

3) ALUMINUM RIVET STEEL MANDREL ONLY (100 PSI REQUIRED FOR ALL 1/4" STEEL RIVETS).

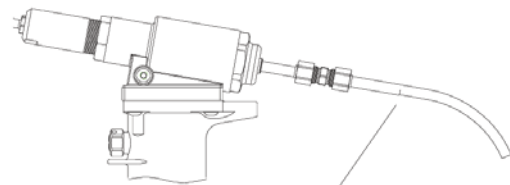
4) 1/4" ALUMINUM ONLY.

5) NOSE ASSEMBLIES WITH A 734 DESIGNATION, I.E. PH6-734-20, ARE FOR SERRATED STEM RIVETS ONLY. IF YOU ARE PULLING BOTH SMOOTH AND SERRATED STEM RIVETS YOU MUST ORDER THE NOSE ASSEMBLY WITH A 743 DESIGNATION, I.E. MGL05-743-24.

NOTE THE LAST 2 DIGITS OF THE NOSE ASSEMBLY REPRESENTS THE LENGTH THE NOSE EXTENDS FROM THE TOOL. I.E. -20 = 2.0 INCHES



"V" DESIGNATION = PINTAIL COLLECTOR BOTTLE



"VT" DESIGNATION = PINTAIL EVACUATION TUBE

HOW TO ORDER GBP703 SERIES TOOLS

